



THE NEXT
GENERATION
360° PRODUCT
PHOTOGRAPHY

ORBITVUMINI
[209.MINI1]



ORBITVU
PRODUCT TELEPORTING

ORBITVUMINI

ORBITVU MINI is a complete solution for 360° product photography and for automated packshot capture. Recommended for small objects up to 18 kg weight and dimensions no larger than 35 x 35 x 50 cm. Compatible with photo studio equipment standards.

ORBITVU MINI is the only complete 360° product photography technology which includes: hardware, 360°/3D photo batch editor, 360°/3D viewer and 360°/3D cloud storage - specifically designed for fast and hassle free operation work flow.

Typical product range types: from fashion accessories, shoes, through toys, works of art up to small and medium sized electronic devices.

Key features:

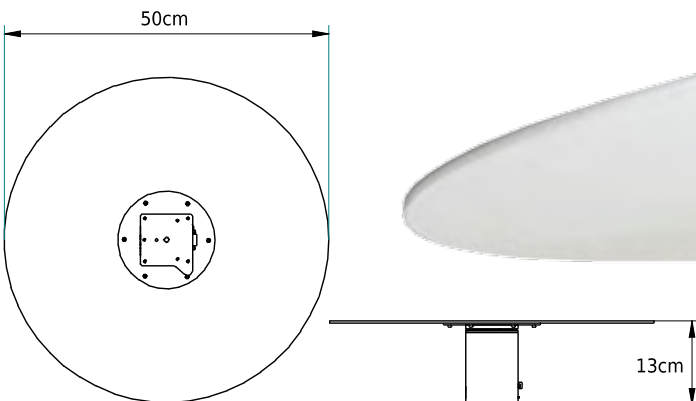
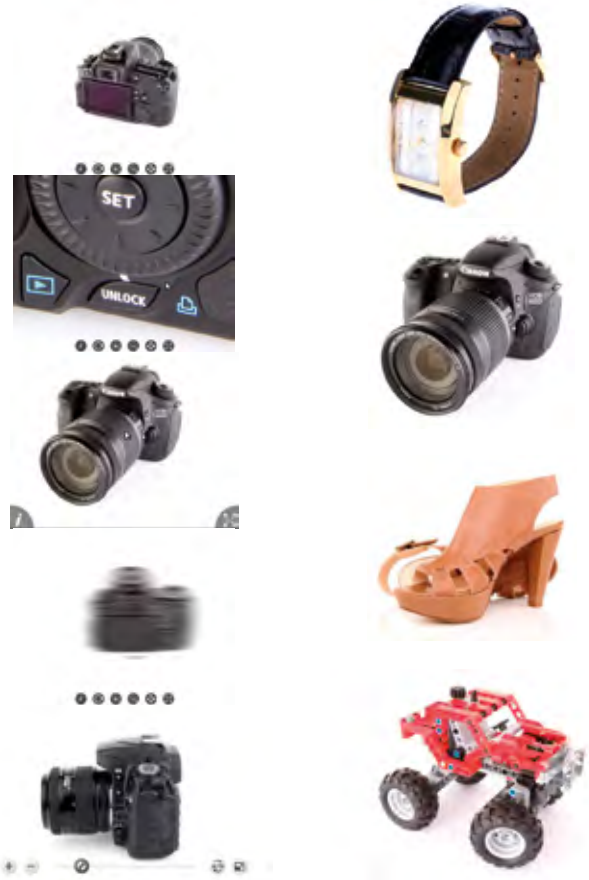
- Fully automated work-flow for 360° object shooting
- For small objects weighing up to 18 kg
- Small and compact can be easily used on client's site
- Designed to be used on any photographic tripod
- NIKON and CANON DSLR support
- Hanging kit option
- Cost effective solution

What's included:

- The new ORBITVU HEAD 2 with 50 cm table
- White matt/glossy background
- External power supply
- USB cables for camera and the unit
- ORBITVU EDITOR STANDARD license
- ORBITVU VIEWER BASIC license
- ORBITVU SUN PRO plan (100 products one year)
- One year of software support and upgrades
- Two year warranty for the hardware

Upgrade options:

- 209S-UP1 - Upgrade to PHOTOGRAPHER EDITION software - solution dedicated to professional service providers who would like to offer highest quality services to it's clients
- 209S-UP3 - Upgrade to BUSINESS EDITION software - solution dedicated to end users, who would like to use ORBITVU to shoot their own products
- 209A9 - Mini base - perfect solution to use MINI without a tripod
- 209A1 - Product hanging set, up to 1 kg
- 209A-PC50 - Black pad ø50 cm, glossy



Hardware characteristics	ORBITVU MINI
Max central load	18kg
Max. load for hanging configuration	1kg
Total weight net / gross / hanging configuration net	1.3 kg
Dimensions	80x80x120 mm
Table dimensions	50 cm
Positioning accuracy:	better than 3°
Power supply:	12V/1000mA
External power supply:	110-230V AC
Operating temperature range:	10-40 ° C
Maximum relative humidity:	95% (non condensing)
Connectors:	
Power supply	12V DC
Camera shutter release	2.5 mm stereo
PC Control	USB mini type B



ORBITVU EDITOR

FULLY COMPATIBLE WITH:
Canon Nikon

ORBITVU EDITOR is an advanced 360 photo capture, edit and authoring software, optimised for batch image processing without a need to use external image processing software. Multi-camera, Multi core support, integration with SUN web service will make your work flow efficient as never before. On top of it, allows automation of still packshots shooting.

ORBITVU EDITOR is seamlessly integrated with Orbitvu hardware and software solutions. It is compatible with latest Nikon and Canon DSLRs, and other image processing software.

Key features:

- Automated 3D/360° image capture
- Live view preview with camera control options
- Multi camera support - automated capture of 3D view from multiple cameras
- Batch edit of 360° image (sharpness, levels, saturation)
- 360° Export to GIF, Flash
- 360°/3D export to ORBITVU VIEWER
- Full integration with SUN server: batch upload, easy embed, social sharing, send preview by e-mail



ORBITVU EDITOR FEATURE DESCRIPTION	STANDARD	PHOTO EDITION BUNDLE	PRO EDITION BUNDLE
Includes VIEWER BASIC license for free presentation distribution	✓	✓	✓
Includes VIEWER ROYALTY FREE license for free presentation distribution	–	✓	–
Includes VIEWER STANDARD 1 domain for use on one web site	–	–	✓
Basic control of ORBITVU equipment (manual rotation, automatic capture of predefined number of frames per rotation)	✓	✓	✓
Camera control: shutter speed, aperture, ISO, White Balance, live view, zoom, MF/AF	✓	✓	✓
Basic editing options: Intensity histogram, brightness, levels, cropping	✓	✓	✓
Export to Animated GIF, SWF and ORBITVU presentation	✓	✓	✓
Batch 360 presentations upload to internet (ORBITVU SUN type servers)	✓	✓	✓
Advanced control of ORBITVU equipment (full control over equipment – speed, acceleration, continuous mode, automatic image retake)	–	✓	✓
Advanced batch editing: sharpness, colour saturation, white balance	–	✓	✓
Multi-core operation	–	✓	✓
Custom templates	–	✓	✓
Adobe RGB colour profile support	–	✓	✓
Automated still image capture at predefined angles	–	✓	✓
ORBITVU SUN plan included	BASIC	PRO	PRO

ORBITVU VIEWER



ORBITVU VIEWER is the web player of 360°/3D product presentations designed for one purpose - so on-line users can experience products on any device, platform or web service in the best possible way.

ORBITVU VIEWER uses progressive zoom technology (also called DEEP ZOOM) to enable high resolution 360 imaging without slowing down web pages. It will recognize and switch between Flash or HTML5 technologies to offer best possible compatibility and user experience.

Key features:

- Multi-touch gestures support for mobile devices (both iOS and Android)
- Unlimited zoom resolution for both Flash and HTML5 based platforms
- Customisable user interface (4 pre-defined styles + custom colors)
- The best user experience viewer in the market (physics, smooth zoom)
- Royalty Free, one time paid, lifetime license



ORBITVU VIEWER FEATURE DESCRIPTION	BASIC	STANDARD	ROYALTY FREE	CORPORATE
Internet optimised DEEP ZOOM tech–logy	✓	✓	✓	✓
M-VIEW tech–logy enabling 360 view on mobile devices, PC/MAC, social media, etc. compatible with Flash and HTML5	✓	✓	✓	✓
2D zoom support	✓	✓	✓	✓
Customizable play options	✓	✓	✓	✓
UI buttons colour customisation	–	✓	✓	✓
–. of user interface built-in styles	1	4	4	4
API for external control and events	–	✓	✓	–
HTML5 gestures support for iOS and Android	✓	✓	✓	✓
Unlimited zoom capability	NO (1024px limit)	✓	✓	✓
Advanced transitions for 360 people view	–	✓	✓	✓
Unbranded option	–	✓	✓	✓
Domain locking	–	ALWAYS	–	OPTION
Support & free updates	1 year e-mail	1 year e-mail, remote	1 year e-mail, remote	1 year, e-mail, remote, phone
Can be freely redistributed with 360 presentations	✓	–	✓	✓

ORBITVUSUN

ORBITVU SUN is a cloud service dedicated to 360° product photography storage and distribution. It revolutionizes the way of delivering and offering 360° product photography to your clients. Fully integrated with ORBITVU EDITOR allows you to batch export 360 images for on-line preview by your client. No more FTPs or manual copying. Than you can just sell a link or embedding code to you client, saving him problems and costs related to installation of 360 views on his web site. As an option your client can have it's own SUN account for better management and usage statistics. And on top of it, SUN PRO account is now included with any kit purchase with one year of hosting of up to 100 360° product views.

Key features:

- batch 360 view upload
- embed code generator: web page, e-bay, direct link
- send 360 image preview by e-mail
- advanced statistics
- viewer customization
- QR code generator
- CDN option
- always latest 360 view technology

Feature	TRIAL	BASIC	PRO	BUSINESS	CORPORATE
Number of presentations (free of charge)	3	20	100	500	agreement
Disk space	300MB	1GB	5GB	25GB	agreement
Max no of views/ year	10,000	500,000	1M	6M	agreement
Statistics	-	-	✓	✓	✓
Basic viewer customisation	✓	✓	✓	✓	✓
Support	web site	e-mail	e-mail	e-mail	Phone
Period	3 months	1 year	1 year	1 year	1 year
Advanced viewer customisation	✓	✓	✓	✓	✓
Easy embed:	✓	✓	✓	✓	✓
QR codes:	✓	✓	✓	✓	✓
Social sharig:	✓	✓	✓	✓	✓



facebook

twitter

ebay

QR Code



ORBITVU
PRODUCT TELEPORTING

ORBITVU LTD
ul. Sienkiewicza 48
42-600 Tarnowskie Góry, Poland
e-mail: info@orbitvu.com
phone: + 48 32 3921060
mobile: +48 505 028558



ORBITVU.COM

WWW.ORBITVU.COM